



Mechanical measuring capsule water meter WMx10

Multi-jet dry-rotor measuring capsule for cold and hot water consumption measurement.

Display of cumulative consumption. Retrofittable with electronic modules.

Use

For water consumption metering in:

- 】 Service water systems of residential and non-residential buildings
- 】 Water supply systems of any type
- 】 Multifamily houses, office and administrative buildings

Typical users are:

- 】 Private building owners and housing cooperatives
- 】 Building services companies and property management firms

Functions

- 】 Water consumption measurement
- 】 Cumulation of consumption values
- 】 Display of consumption values

Type Summary

Measuring Capsule

max. water temperature [°C]	Compatible with	QN [m ³ /h]	Connection thread	Type designation
30	ISTA EAS-N ISTA EAS-H	1,5	G 2	WMK10.D
90	ISTA EAS-N ISTA EAS-H	1,5	G 2	WMW10.D

Single-Pipe Connector (EAT)

Connections on both ends		Overall length	Type designation	
Threaded connection	Soldering connection ¹⁾		Complete EAT ²⁾	EAT only ³⁾
G ½" external thread	15 mm	110 mm	WME.L15/H	WME.L15/OV/H (PU = 27 pcs)
G ¾" external thread	18 mm	110 mm	WME.L18/H	WME.L18/OV/H (PU = 27 pcs)
(without)	22 mm	130 mm	WME.L22/H	WME.L22/OV/H (PU = 24 pcs)
Rp ¾" internal thread	(without)	80 mm	WME.G20/H	WME.G20/OV/H (PU = 45 pcs)

1) To be soldered onto a pipe having an appropriate external diameter

2) Complete with sealing cap, profile gasket and mounting aid

3) Without cap, profile gasket and mounting aid

Available in packaging units only

Type Summary

Zubehör

Description	Type Designation
EAT seal cap	WME.VRING
EAT profile gasket	WME.PRODICHT
EAT mounting aid	WME.EINPUTZ1
Spacer ring A (19-mm extension)	WME.D/H
Distance ring1)	WMZ.DR
Round rosette2), chromium-plated	WFZW.B1
Round cover plate2), chromium-plated, complete with insertion pipe and PVC ring	WFZ.B6-1
Round cover plate2), silver metallic, complete with insertion pipe and PVC ring (radio)	WFZ.B6-2
Special key for installation of measuring capsule	WMZ.K
Special key no. 2 for installation of measuring capsule	WMZ.K2
Assembly block	WMZ.MB1

1) If already available chrome parts should be further used.

2) Please refer to Page 7 for details about the use and dimensions of rosettes and/or cover plates.

Ordering

The type designation as specified in the Type Summary is to be quoted when placing orders. For the measuring capsule, a profile gasket, an adapter for ro-settes or cover plates and a sealing ring are required. Single-pipe connectors and rosettes or cover plates are not automatically supplied with the meter. They need to be ordered separately.

Functions

- 】 Compatible with various types of casings (See Type Summary.)
- 】 Various mounting positions
- 】 Rotatable drum-type registers – reading possible in any position
- 】 Eight-roller register with modulation indicator used for capsules without remote reading output
- 】 Five-roller register with modulation indicator used for capsules with remote reading output
- 】 Separation of wet and dry spaces provides protection for the drum-type register.
- 】 Prepared for integration into AMR and walk-by radio systems
- 】 One mounting key for all versions
- 】 Suitable for commercially available rosettes

Technical Details

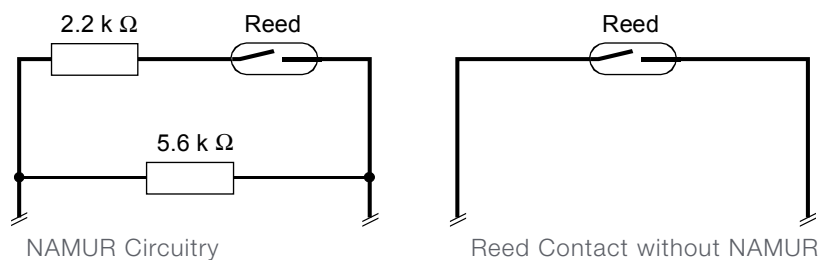
Flow metering is carried out by an impeller transducer. The flow-rate value is transmitted to the mechanical register via a magnetic coupling. The display unit comprises the following:

- 】 the counter (maximum value: 99,999.999 m³) to indicate the current consumption level,
- 】 a liter counter (1 pointer revolution = 1 liter) to determine current consumption,
- 】 flow monitoring.

Remote Reading Out-put

The models provided with a remote reading output feature a reed contact with or without NAMUR circuitry. It is through this contact that the register transmits the recorded flow rate values as pulse variables. One pulse is equal to a flow of ten liters of water.

Thanks to NAMUR circuitry, open or short circuits can be detected through the analysis of the resistance values measurable.



Design

Construction and Register

The measuring capsule water meter is designed in such a way that it can be in-stalled or replaced as a complete unit. It is composed of the measuring capsule and the fixed mounted single-pipe connector. Inside a brass housing, the measuring capsule contains a measuring chamber with the multi-jet impeller transducer. The dry rotor type register sits on the measuring chamber. The register is located under a transparent plastic cover and can be ro-tated 360 degrees on the measuring chamber. Consumption is shown by an eight-roller register.

The unit provided with a remote readout output is equipped with a pulse output cable of approximately 1.4 m in length, which is connected to the register in a fixed manner and fed out laterally. Consumption is shown by a five-roller register.

Single-pipe connector

The single-pipe connector made of brass comes with two connections for installa-tion in the water pipe and with an internal thread into which the measuring capsule is screwed. The single-pipe connector is installed into the pipe system by screwing or soldering. Single-pipe connectors are available in different connection sizes.

A sealing cap can be screwed into the single-pipe connector during the installation process, as well as during maintenance and repairs.

The measuring capsule water meter is suitable for surface and concealed mounting.

Accessories

Cover Plates and Rosettes

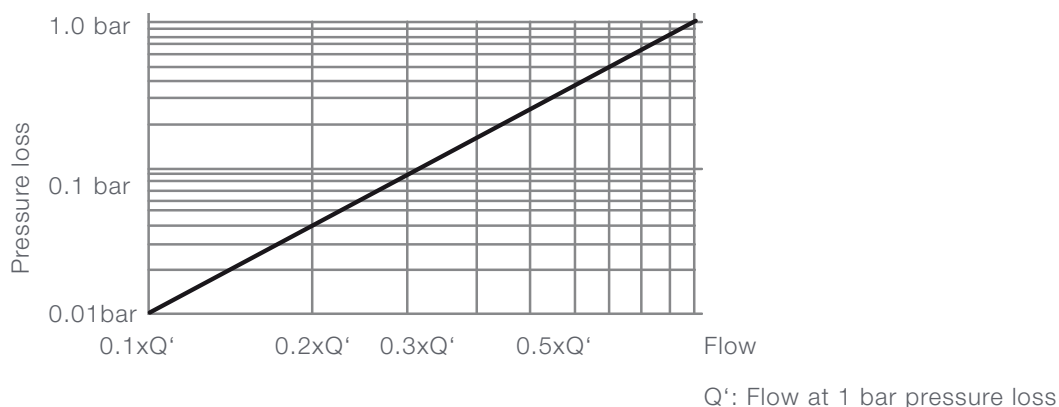
Rosettes and cover plates of various designs are available to cover the installation space for the measuring capsule:

- 】 Rosette WFZW.B1 (chromium-plated) for measuring capsules recessed in the wall
- 】 Cover plate WFZ.B6 (chromium-plated) for measuring capsules protruding from the wall

Mounting Aid

A plastic mounting aid is available for the concealed installation of the single-pipe connector. The aid is plugged onto the single-pipe connector (with sealing cap). Brickwork and plaster can be put up around the mounting aid.

Dimensioning



Mounting Instructions

- 】 The local regulations governing the use (installation, sealing, etc.) of water meters are to be observed.
- 】 The single-pipe connector can be permanently integrated into the installation. The measuring capsule must be easily accessible for readout and servicing.
- 】 If the device is not used until commissioning, the single-pipe connector can be installed provisionally with a sealing cap.
- 】 The pipe is to be thoroughly flushed before the measuring capsule can be in-stalled. To this end, the single-pipe connector is to be mounted with the sealing cap.
- 】 The mounting position can be chosen between horizontal and vertical. In so doing, the flow direction sign (arrow on the single-pipe connector) must be observed, however.
- 】 The register, which can be turned into any position whatsoever, should be set in such a way that the display can be read horizontally.
- 】 Following installation, the system is to be pressure tested.
- 】 A special key is to be used for the installation of the measuring capsule.

Operating Instructions

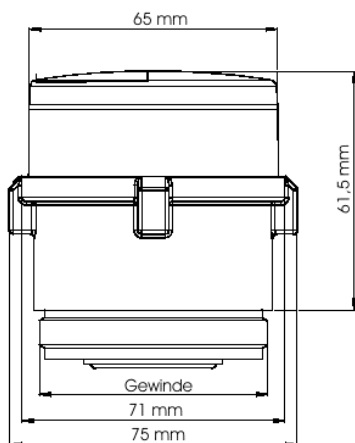
When it comes to the operation, recalibration and use of the water meter, the applicable local regulations are to be observed.

Technical Data

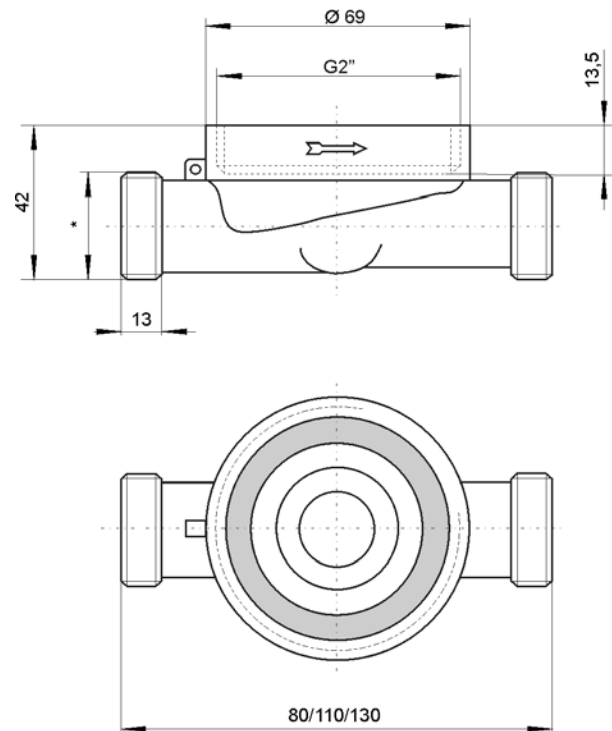
Metrological class (DIN ISO 4064/1)	
Horizontal	B
Vertical	A
Flow rate values	
Nominal flow QN [m ³ /h]	1,5
Starting phase - approx. [l/h]	< 10
Maximum permissible operating pressure [bar]	10
Maximum water temperature [°C]	
Model WMK1x.D	30
Model WMW1x.D	90
Flow Q' at a pressure drop of 1 bar [l/h]	3300
Weight [kg]	
Measuring capsule	0.34
Single-pipe connector	0.78

Dimensional Drawings

Measuring Capsule WMx10.D



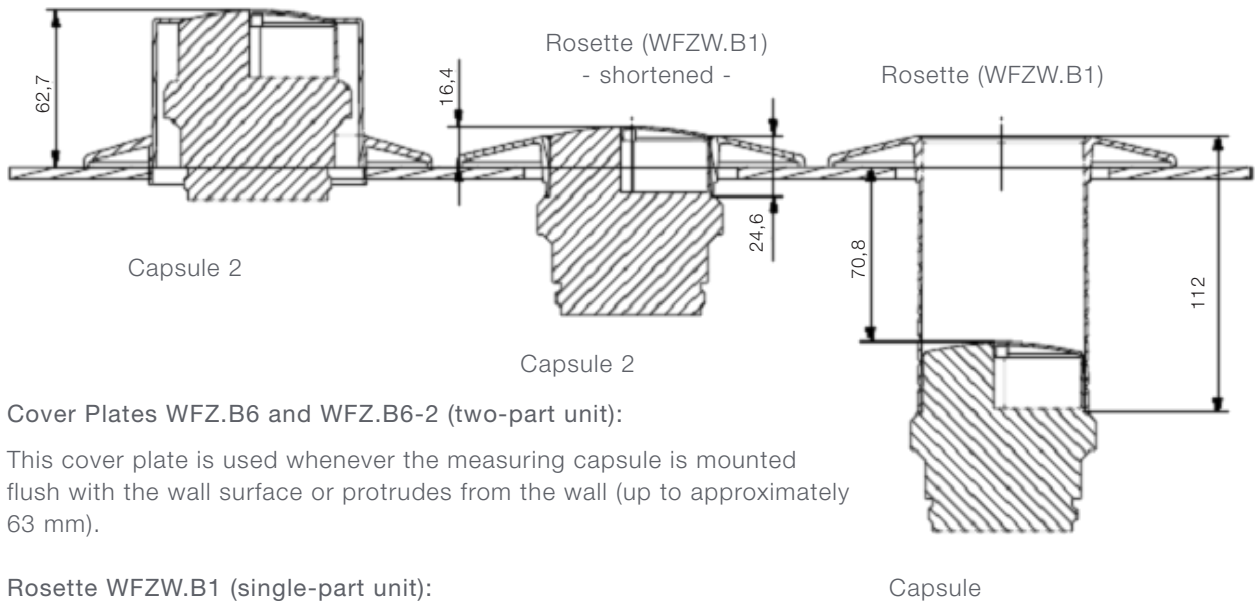
Single-Pipe Connect-or (EAT) WME.L.../H



Dimensional Drawings

Cover Plates and Rosettes

Cover Plate VI (WFZ B6-1)
Cover Plate VI-2 (WFZ B6-2)



Cover Plates WFZ.B6 and WFZ.B6-2 (two-part unit):

This cover plate is used whenever the measuring capsule is mounted flush with the wall surface or protrudes from the wall (up to approximately 63 mm).

Rosette WFZW.B1 (single-part unit):

This rosette is used whenever the measuring capsule is mounted flush with the wall surface or recessed in the wall (up to approximately 71 mm).

✉ **QUNDIS GmbH**
Sonnentor 2
99098 Erfurt
☎ +49 (0) 361 26 280-0
☎ +49 (0) 361 26 280-175
✉ info@qundis.com
www.qundis.com

The information in this data sheet only contains general descriptions or product characteristics, which may not always apply in particular application cases and/or may be subject to change through further development of the product. Required product characteristics are then binding if they are expressly agreed when the contract is drawn up.
©2015 QUNDIS GmbH. Subject to change