



Q pulse R

Pulse adapter

- › capturing and processing the pulses of a consumption meter with pulse output
- › integrated radio technology for integration into a Q AMR system
- › integrated NFC interface for easy parameter setting or readout
- › simple mounting and commissioning
- › save consumption data and due date values

Application

The pulse adapter captures and processes the pulses from a consumption meter with pulse output and transmits the data to a Q AMR system. Consumption meters for water, heating/cooling and electricity can be connected. The pulse adapter is equipped with an NFC interface for parameter setting.

Features

- › capturing the consumption values of a consumption meter
- › integration of manufacturer- and type-independent consumption meters
- › data transmission by radio
- › detection of cable breakage, tampering and fault pulses
- › parameter setting and readout via App via NFC interface

Radio (wireless) features C-Mode

- › Radio system - sending OMS®-compliant data telegrams
- › Readout also possible via Q app and Q tool

Q AMR
every 120 seconds (2 minutes)
24 hours per day
365 days a year
Transmitted data:
› current consumption values with date
› last monthly value ¹ with date
› value on due date with date
› device status: error code and error date

Ordering data


Designation	Article number
Q pulse R	RPAH00WH1A00 00W00
Mounting set for wall mounting and/or if the consumption meter connection cable is missing consisting of:	
› 1x connection cable (2-wire)	
› 2x screw Ø4x40mm	RPAIW00 001
› 2x dowels Ø4x30mm	
› 2x cable connector	
› 1x adhesive seal	
› 1x wire bridge	

The following parameters are preset as standard on delivery from the factory:

- › Due date: 31.12.
- › Pulse unit: 10 litres per pulse
- › Medium: 07h (water meter)

¹ can be parameterised by software to three monthly values

Technical data

General	
	<p>WEPTTECH elektronik GmbH hereby declares that the pulse adapter ORIOL Q pulse R complies with Directives 2014/53/EU (RED) and 2011/65/EU (RoHS).</p> <p>The full text of the declaration of conformity is available at the following internet address: https://qundis.com/service/downloads-and-information/eu-declaration-of-conformity/#qr01</p>
Ambient conditions	
Protection rating	IP67 according to EN 60529
Protection class	III according to EN 61140
Transport	-30 °C ... 60 °C, < 95 % r.F. (without condensation)
Storage	-30 °C ... 60 °C, < 95 % r.F. (without condensation)
Usage	-20 °C ... 55 °C, < 95 % r.F. (without condensation)
Radio technology	
Radio mode	C-Mode (Q AMR)
Radio frequency	EN300 220-2 C-Mode (868,95 +/- 0,25) MHz
Transmission power	max. 14 dBm / typ. 11 dBm
Encryption ¹	Security Mode 5 or 7 according to EN 13757-7, Security Profile A or B according to OMS specification
Data telegrams	OMS-conform
Readout	-via Q tool -via Q gateway 5.5 direct or higher -via Q node 5.5 from V4.3 (Update data collector network necessary)
Power supply	
Lithium battery	Nominal voltage 3,6 V
Battery life	12 years operation + 1 year reserve + 6 months storage

¹encryption optional

Technical data consumption meter

The following types of consumption meters can be connected

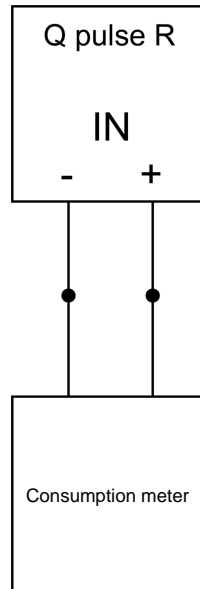
- › water meter
- › heat meter/cold meter
- › electricity meter

The consumption meters that are connected to the pulse adapter must have the following properties

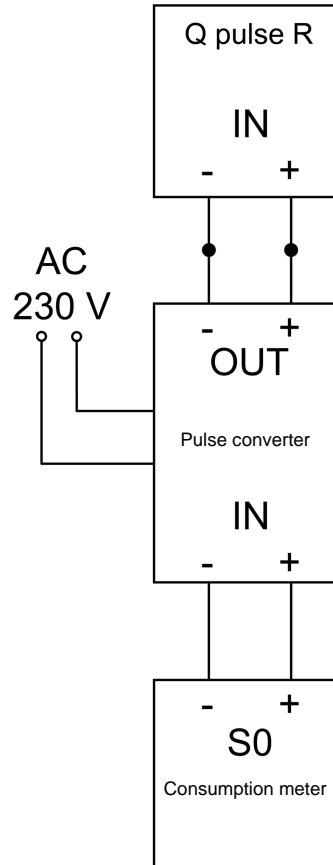
Consumption meter	
Contact voltage (dyn. scanning)	2,5 V ... 3,6 V
Maximum frequency	< 20 Hz
Guaranteed debouncing time	5 ms
Length pulse minimum	> 25 ms
Minimum pulse pause length	> 25 ms
Resistance	contact open: > 1 M Ω , contact closed: < 1 k Ω
Connection cable	max. 10 m

Pulse generators that work on the basis of a reed switch or that simulate the function of a reed switch using electronic components are suitable.

Connection diagrams

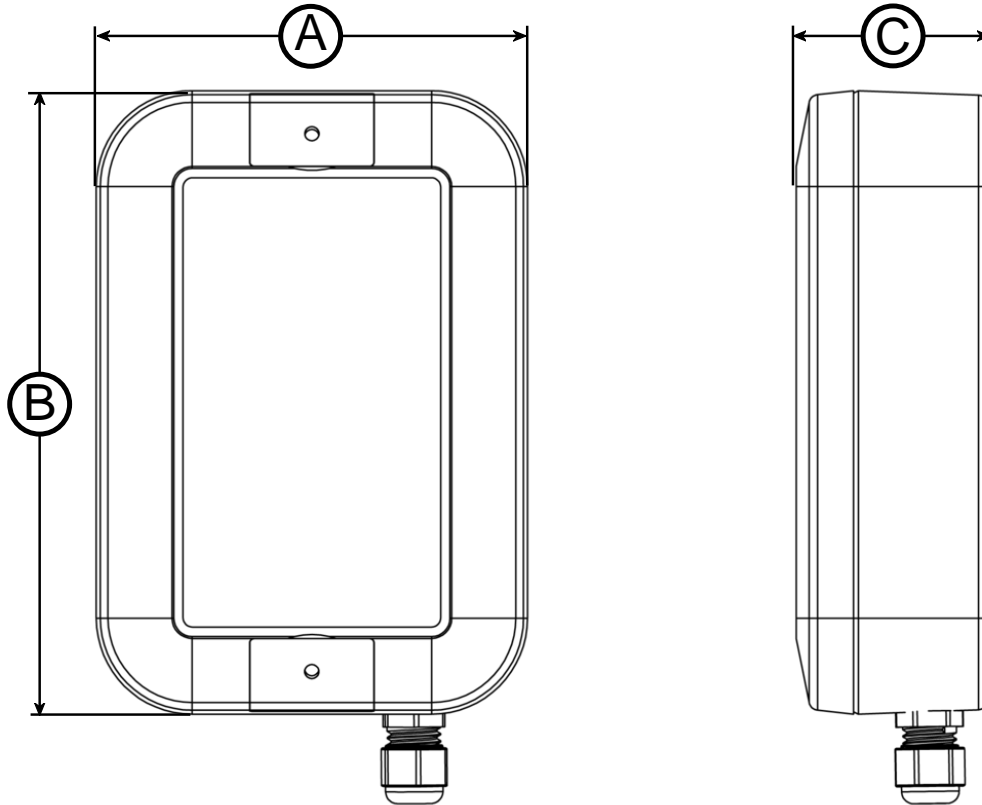


Connection diagram for all consumption meters



Connection diagram for consumption meters with S0 signal output using a pulse converter

Dimensional drawings



A	90 mm
B	150 mm
C	40 mm

QUNDIS GmbH

Sonnenor 2
 99098 Erfurt
 Germany
 Phone.: +49 (0) 361 26 280-0
 Fax: +49 (0) 361 26 280-175
 E mail: info@qundis.com
www.qundis.com

A company of the
noventic group

The information in this data sheet only contains general descriptions or product characteristics, which may not always apply in particular application cases and/or may be subject to change through further development of the product. Required product characteristics are then binding if they are expressly agreed when the contract is drawn up.
 ©2024 QUNDIS GmbH. Subject to change.