



Q pulse R

Pulse adapter

- › capturing and processing the pulses of a consumption meter with pulse output
- › integrated radio technology for integration into a Q AMR system
- › integrated NFC interface for easy parameter setting or readout
- › simple mounting and commissioning
- › save consumption data and due date values

Application

The pulse adapter captures and processes the pulses from a consumption meter with pulse output and transmits the data to a Q AMR system. Consumption meters for water, heating/cooling and electricity can be connected. The pulse adapter is equipped with an NFC interface for parameter setting.

Features

- › capturing the consumption values of a consumption meter
- › integration of manufacturer- and type-independent consumption meters
- › data transmission by radio
- › detection of cable breakage, tampering and fault pulses
- › parameter setting and readout via App via NFC interface

Radio (wireless) features C-Mode

- › Radio system - sending OMS®-compliant data telegrams

Q AMR (PDD)

every 120 seconds (2 minutes)

24 hours per day

365 days a year

Transmitted data:


- › current consumption values with date
- › last monthly value¹ with date
- › value on due date with date
- › device status: error code and error date

Ordering data

| Designation | Article number |
|---|--------------------|
| Q pulse R | RPAH00WH1A00 00W00 |
| Mounting set for wall mounting and/or if the consumption meter connection cable is missing consisting of: | |
| › 1x connection cable (2-wire) | |
| › 2x screw Ø4x40mm | RPAIW00 001 |
| › 2x dowels Ø4x30mm | |
| › 2x cable connector | |
| › 1x adhesive seal | |

¹ can be parameterised by software to three monthly values

Technical data

| General | |
|---|---|
|  | <p>WEPTTECH elektronik GmbH hereby declares that the pulse adapter ORIOL Q pulse R complies with Directives 2014/53/EU (RED) and 2011/65/EU (RoHS).</p> <p>The full text of the declaration of conformity is available at the following internet address: https://qundis.com/service/downloads-and-information/eu-declaration-of-conformity/#qr01</p> |
| Ambient conditions | |
| Protection rating | IP67 according to EN 60529 |
| Protection class | III according to EN 61140 |
| Transport | -30 °C ... 60 °C, < 95 % r.F. (without condensation) |
| Storage | -30 °C ... 60 °C, < 95 % r.F. (without condensation) |
| Usage | -20 °C ... 55 °C, < 95 % r.F. (without condensation) |
| Radio technology | |
| Radio mode | C-Mode (Q AMR) |
| Radio frequency | EN300 220-2 C-Mode (868,95 +/- 0,25) MHz |
| Transmission power | max. 14 dBm / typ. 11 dBm |
| Encryption ¹ | |
| Data telegrams | OMS-conform |
| Readout | -via Q tool -via Q gateway 5.5 direct or higher -via Q node 5.5 from V4.3 (Update data collector network necessary) |
| Power supply | |
| Lithium battery | Nominal voltage 3,6 V |
| Battery life | 12 years operation + 1 year reserve + 6 months storage |

¹encryption optional

Technical data consumption meter

The following types of consumption meters can be connected

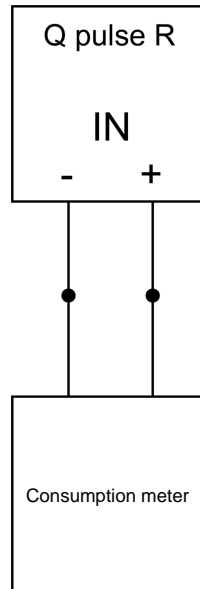
- › water meter
- › heat meter/cold meter
- › electricity meter

The consumption meters that are connected to the pulse adapter must have the following properties

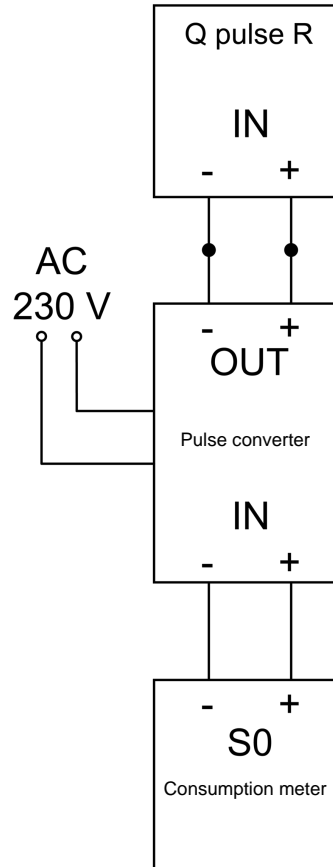
| Consumption meter | |
|---------------------------------|--|
| Contact voltage (dyn. scanning) | 2,5 V ... 3,6 V |
| Maximum frequency | < 20 Hz |
| Guaranteed debouncing time | 5 ms |
| Length pulse minimum | > 25 ms |
| Minimum pulse pause length | > 25 ms |
| Resistance | contact open: > 1 M Ω , contact closed: < 1 k Ω |
| Connection cable | max. 10 m |

Pulse generators that work on the basis of a reed switch or that simulate the function of a reed switch using electronic components are suitable.

Connection diagrams

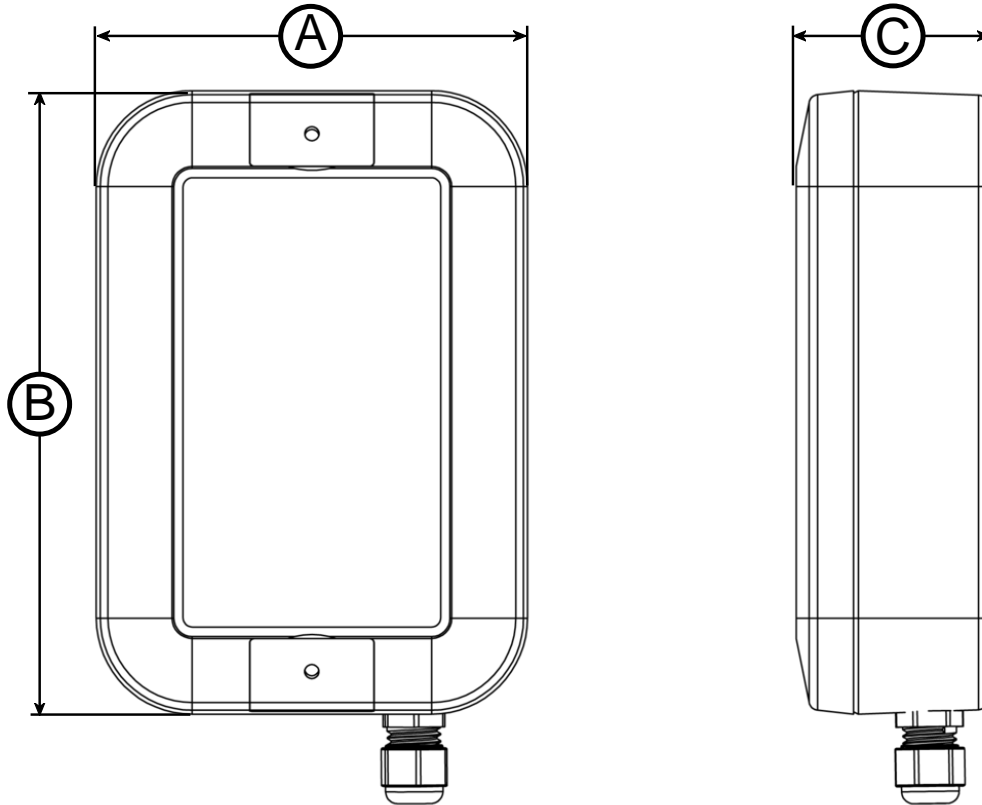


Connection diagram for all consumption meters



Connection diagram for consumption meters with S0 signal output using a pulse converter

Dimensional drawings



| | |
|---|--------|
| A | 90 mm |
| B | 150 mm |
| C | 40 mm |

QUNDIS GmbH

Sonnentor 2
99098 Erfurt
Germany
Phone.: +49 (0) 361 26 280-0
Fax: +49 (0) 361 26 280-175
E mail: info@qundis.com

www.qundis.com

A company of the
noventic group

The information in this data sheet only contains general descriptions or product characteristics, which may not always apply in particular application cases and/or may be subject to change through further development of the product. Required product characteristics are then binding if they are expressly agreed when the contract is drawn up.
©2025 QUNDIS GmbH. Subject to change.