



M-Bus add-on module MHM5

The M-Bus module is used for communication between a heat meter and an M-Bus central unit in order to transmit the measured values. The module can be read out at any time and as often as required using M-Bus.

In addition to the possible voltage supply via the M-Bus connection, the M-Bus module is equipped with a battery which takes over the supply for the add-on module processor if no M-Bus voltage is available.

Functions

The external add-on module (MHM5) can be attached to heat meters of the series Q heat 5, G20/21, G54/55/58 and calculator units of the series R20/21/28. Follow these steps to do this:

- a) Remove the interface cover on the heat meter
- b) Attach the add-on module and screw it tight

The add-on module automatically detects the meter shortly after attachment. The identity and data of the meter are taken over after 2 minutes (primary addresses are retained).

The measured values of the heat meters are read out by the module periodically at intervals of 10 minutes and stored.

The module does not affect consumption recording and can thus be retrofitted at any time without damaging the security seal.

Addressing

The M-Bus module is usually addressed via the secondary address. If necessary, the primary address of the add-on module can be changed via the M-Bus interface.

M-Bus data points

The following data are read out of the M-bus module by request of the M-bus central unit:

Option „Short data telegram“

Block	M-Bus Data points
1	~ Energy ~ Volume
3	~ Clock ~ Operating hours ~ Error date ~ Fab. Number M-Bus-Modul ~ Albatros ID ~ M-Bus-Modul ASN ~ Customer Location ~ Errorcode M-Bus-Modul
6	~ Value Due Date ~ Due Date

Option „Extended data telegram“

Block	M-Bus Data points
1	~ Energy ~ Volume
3	~ Clock ~ Operating hours ~ Error date ~ Fab. Number M-Bus-Modul ~ Albatros ID ~ M-Bus-Modul ASN ~ Customer Location ~ Errorcode M-Bus-Modul
4	~ Volume Flow ~ Flow Temperature ~ Return Flow Temperature ~ Temperature Difference ~ Thermal Power
6	~ Value Due Date ~ Due Date
8	~ Date at Last Month's End ~ 13 monthly values (oldest value first)

Type overview

Options	Part no.
Short data telegram	MHM5-00A2-0000 00000
Extended data telegram	MHM5-00A2-0000 02000

Order

The complete part number must be given for the order.

Device combination

One M-Bus add-on module is required per heat meter.

Technical data

General device data

Power supply

Voltage	Remote feed from the M-Bus system
Additional internal battery	
Operating voltage	3 V
Battery type	Varta CR 2/3 AA

M-Bus connection

M-Bus slave interface	According to EN 1434-3 and EN 13757-2/-3
Quiescent current	≤ 1.5 mA
Standard load	1UL
Addressing	Primary or secondary
Baud rate	300, 2400 Baud
Polarity	Any
DC decoupling	Through module interface
Length of connection cable	2.95 m

Temperature

Operation	5...55 °C
Transport	-25...55 °C
Storage	-25...55 °C

Norms and standards

CE conformity	according EMC directives
---------------	--------------------------

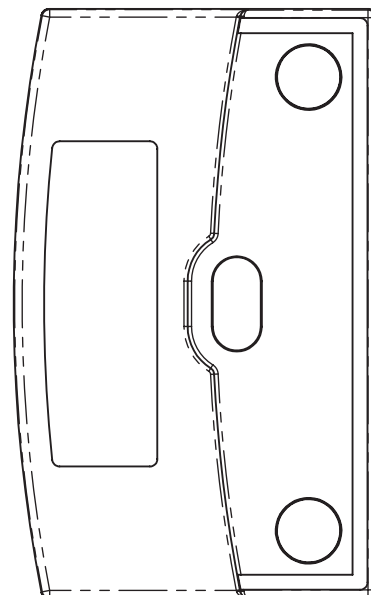
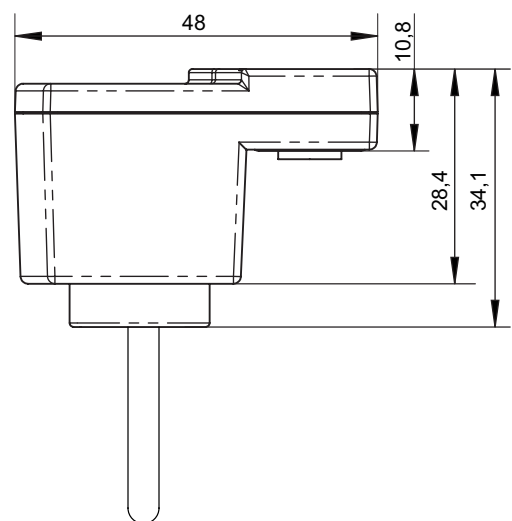
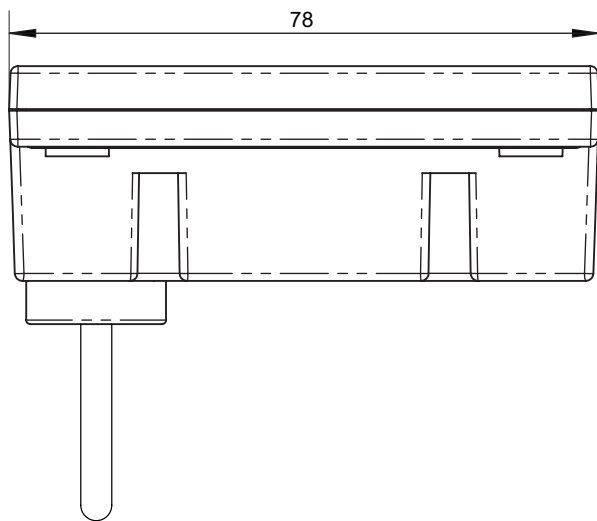
Electromagnetic compatibility

Interference resistance	EN 55024
Emitted interference	EN 55022
Security of IT equipment	EN 60950-1

Protection rating

IP protection rating	IP65 according to EN 60529
Protection class	III

Dimensional drawing



QUNDIS GmbH

Sonnenator 2
99098 Erfurt / Germany
Tel.: +49 361 26 280-0
Fax: +49 361 26 280-175
Mail: info@qundis.com
www.qundis.com

The information in this data sheet only contains general descriptions or product characteristics, which may not always apply in particular application cases and/or may be subject to change through further development of the product.
Required product characteristics are then binding if they are expressly agreed when the contract is drawn up.
©2010 QUNDIS GmbH. Subject to change