



Q gateway 5.5 direct

Q gateway 5.5 direct is a high-performance device, which combines the monitoring of all metering devices within a single property with automatic remote data transmission.

It records the consumption data of up to 1.000 wireless M-bus meters* and transmits these by GPRS/EDGE/UMTS/HSPA mobile transmission to the QUNDIS Smart Metering platform Q SMP. From there, all data are automatically transmitted to your office by e-mail or SSH FTP.

The device is factory-fitted with a SIM card. You manage all gateway configuration procedures via the Q SMP.

Q gateway 5.5 direct of the type RNG5000T2070x are battery-powered. There is a mains-operated version RNG5000T1070x available for daily readout.

* Details according to the Gateway Service Description

Functions

Q gateway 5.5 direct represents a solution that supports a fully automated, safe internet connection by means of GPRS/EDGE/UMTS/HSPA network and safe wireless networking in the intelligent counter sub-system.

Metering data storage, smart meter management & control, **Q gateway 5.5 direct** configurations & diagnostics is realized remotely and very simply using only the web browser in your office, powered by the cloud based **Q SMP** Head end software.

Gateways of the type RNG5000T2070x achieve a service life of more than 5 years, quite simply by using high-performance batteries combined with an extremely low power consumption. Thanks to the comprehensive range of features supported, the **Q gateway 5.5 direct** becomes the ultimate solution in applications and projects which require total energy autonomy.

The system contributes to a significant saving in time, effort as well as costs, and the quality of service helps to increase overall customer satisfaction.

Do everything right from your office ...

Type summary

Type	Power supply
RNG5000T2070x	Battery
RNG5000T1070x	Mains power

Key features

- ▶ Wireless M-Bus 868 MHz
- ▶ Wireless M-bus mode C and T
- ▶ Excellent ISM radio sensitivity
- ▶ Quad-band GSM 900, 1.800 MHz / UMTS 900, 2.100 MHz
- ▶ Safe mobile data transfer in the ISM and GSM bands
- ▶ Highest possible wireless connectivity by national and international roaming
- ▶ Automatic selection of the optimum network guarantees maximum battery service life
- ▶ Battery power supply, for 5 years (depending on set operation scenario).
- ▶ Device-integrated GSM & ISM antennas
- ▶ Pre-installed SIM card and self-configuration of key parameters
- ▶ Indoor wall-mount
- ▶ Tamper detection and alarming
- ▶ Simple on-site installation
- ▶ Management via **Q SMP** (QUNDIS Smart Metering Platform)

General information & user interfaces

- ▶ LCD display
- ▶ LED bi-colour optical indicator (red/green)
- ▶ Push button with cap
- ▶ SIM card holder
- ▶ SIM card type: mini SIM - DATA transfer enabled
- ▶ Tamper contact
- ▶ Buzzer: 4 kHz, 75 dB

Technical data

ISM Performance

Wireless M-Bus - supported mode	C/T mode (EN13757-4)
Output power	max. 14 dBm
RSSI signal strength measurement	yes
AES encryption	128 bit
Frequency band	(868,95 +/- 0,25) MHz

Mobile GPRS / EDGE / UMTS / HSPA performance

GSM	frequency bands	900 MHz	1.800 MHz
	output power	class 2 (1 W)	class 4 (2 W)
UMTS	frequency bands	900 MHz	2.100 MHz
	output power	class 3 (2 W)	class 4 (2 W)
GSM & ISM Antenna		Fully integrated high performance ISM and GSM antennas	

Power supply and battery life time

Type RNG5000T2070x	
Power supply	3,0 V battery, not rechargeable
Battery service life	5 years (depending on set operation scenario)
Type RNG5000T1070x	
Rated voltage	AC 100..240 V 50/60 Hz

Dimensions

Dimensions	203 mm x 203 mm x 58 mm
Weight	RNG5000T2070x: 930 g RNG5000T1070x: 650 g
Housing	ABS + PC V1 plastic material
Installation	wall mount with 4x Ø3mm screws and dowels

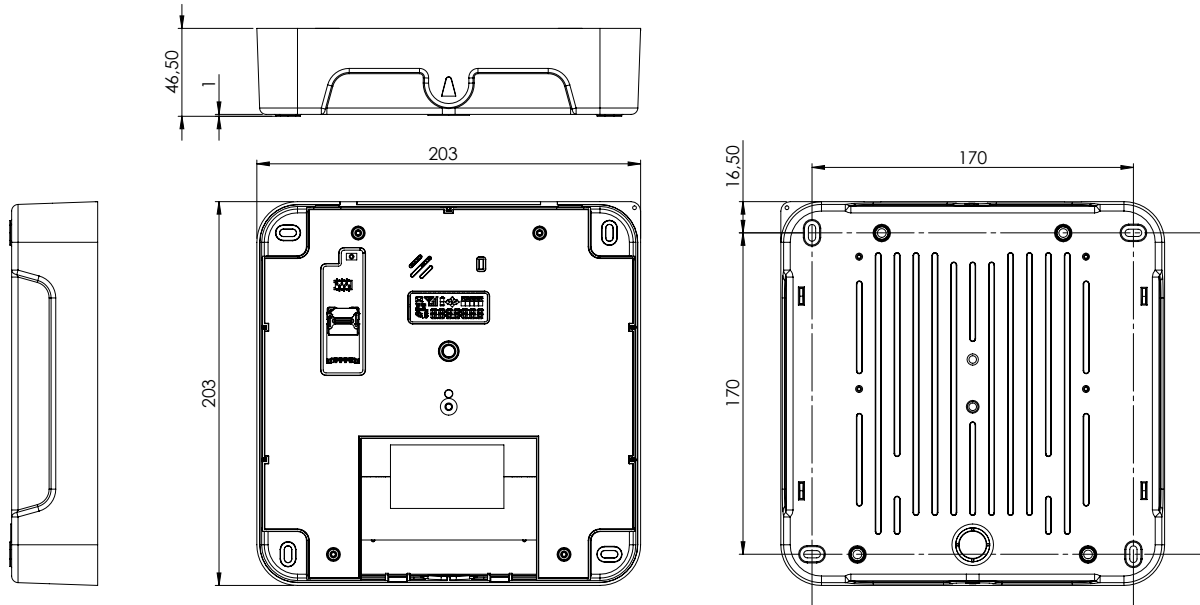
Ambient conditions

Transport	-25°C to +70°C, relative air humidity: max. 95 % without condensation
Storage	-5 °C to +45 °C, relative air humidity: max. 95 % without condensation
Use	-5 °C to +45 °C, relative air humidity: max. 95 % without condensation

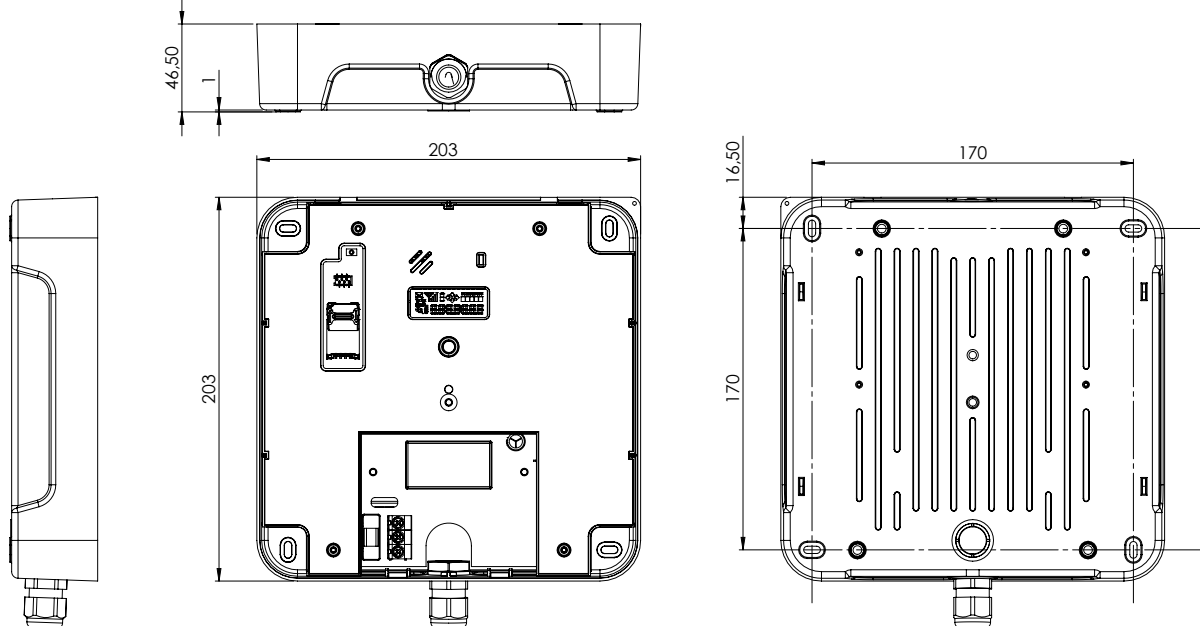
Standards and norms

EU Conformity	yes
Protection rating	IP 30
Safety class	RNG5000T2070x: III RNG5000T1070x: II
Electromagnetic compatibility	EN 301 489-1, EN 301 489-3
Safety	EN 62 368-1, EN 62311
Type approved conforming with	RED directive

Dimensional drawing type RNG5x00x2x



Dimensional drawing type RNG5x00x1x



✉ **QUNDIS GmbH**
Sonnentor 2
99098 Erfurt/Germany
☎ +49 (0) 361 26 280-0
☎ +49 (0) 361 26 280-175
✉ info@qundis.com
www.qundis.com

The information in this data sheet only contains general descriptions or product characteristics, which may not always apply in particular application cases and/or may be subject to change through further development of the product. Required product characteristics are then binding if they are expressly agreed when the contract is drawn up.
© 2018 QUNDIS GmbH. Subject to change