



Q gateway 5

Q gateway 5 is a high-performance device, which combines the monitoring of all metering devices and network nodes within a single property with automatic remote data transmission.

It records the consumption data of up to 2.500 M-Bus meters* and transmits these by GPRS/EDGE/UMTS/HSPA mobile transmission to the QUNDIS Smart Metering platform QSMP. From there, all data are automatically transmitted to your office by e-mail or SSH FTP.

The device is factory-fitted with a SIM card. You manage all gateway configuration procedures via the QSMP.

Q gateway 5 of the type RNG5 xxxR 2xxx are battery-powered. There is a mains-operated version RNG5 xxxR 1xxx available for daily readout.

In addition to the housing variant for indoor use, we also offer a housing variant for harsh environmental conditions with a higher degree of protection IP65.

* Details according to the Gateway Service Description

Functions

Q gateway 5 represents a solution that supports a fully automated, safe internet connection by means of GPRS/EDGE/UMTS/HSPA network and safe, bidirectional wireless networking in the intelligent metering subsystem.

Metering data storage, smart meter management & control, Q gateway 5 configurations & diagnostics is realized remotely and very simply using only the web browser in your office, powered by the cloud based Q SMP Head end software.

Gateways of the type RNG5 xxxR 2xxx achieve a service life of more than 5 years, quite simply by using high-performance batteries combined with an extremely low power consumption. Thanks to the comprehensive range of features supported, the Q gateway 5 becomes the ultimate solution in applications and projects which require total energy autonomy.

The system contributes to a significant saving in time, effort as well as costs, and the quality of service helps to increase overall customer satisfaction.

Do everything right from your office...

Type summary

Type*	Power supply	Type*	Housing variant
RNG5 xxxR 2xxx	Battery	RNG5 xx2R xxxx	Indoor
RNG5 xxxR 1xxx	Mains power	RNG5 xx1R xxxx	for harsh environmental conditions

* x = any option code

Key features

- ▶ Wireless M-Bus 868 MHz
- ▶ Excellent ISM radio sensitivity
- ▶ Quad-band GSM 900, 1.800 MHz / UMTS 900, 2.100 MHz
- ▶ Safe mobile data transfer in the ISM and GSM bands
- ▶ Highest possible wireless connectivity by national and international roaming
- ▶ Automatic selection of the optimum network guarantees maximum battery service life
- ▶ Battery power supply, for 5 years (depending on set operation scenario).
- ▶ Integrated GSM & ISM antennas
- ▶ Pre-installed SIM card and self-configuration of key parameters
- ▶ Indoor wall-mount
- ▶ Simple on-site installation
- ▶ Management via Q SMP (QUNDIS Smart Metering Platform)

General information & user interfaces

- ▶ LC display
- ▶ LED bi-colour optical indicator (red/green)
- ▶ Buzzer: 4 kHz, 75 dB

Technical data

ISM Performance

Wireless M-Bus - supported mode	S mode
Output power	max. 14 dBm
RSSI signal strength measurement	yes
AES encryption	128 bit
Frequency band	(868,3 +/- 0,3) MHz

Mobile GPRS / EDGE / UMTS / HSPA performance

GSM	frequency bands	900 MHz	1.800 MHz
	output power	class 2 (1 W)	class 4 (2 W)
UMTS	frequency bands	900 MHz	2.100 MHz
	output power	class 3 (2 W)	class 4 (2 W)
GSM & ISM Antenna		Fully integrated high performance ISM and GSM antennas	

Power supply typ RNG5 xxxR 2xxx

Battery typ	Lithium metal (not rechargeable)
Operating voltage	3,0 V
Battery service life	5 years (depending on set operation scenario); replaceable

Power supply typ RNG5 xxxR 1xxx

Rated voltage	AC 100..240 V 50/60 Hz
---------------	------------------------

Material

Dimensions (WxHxD)	203 mm x 209 mm x 58,5 mm
Weight	RNG5 xxxR 2xxx 1105 g RNG5 xxxR 1xxx 691 g
Housing	PC/ABS plastic material
Mounting material	2 dowels S6
	2 Torx 20 screws 4,0 mm x 40 mm
	1 seal

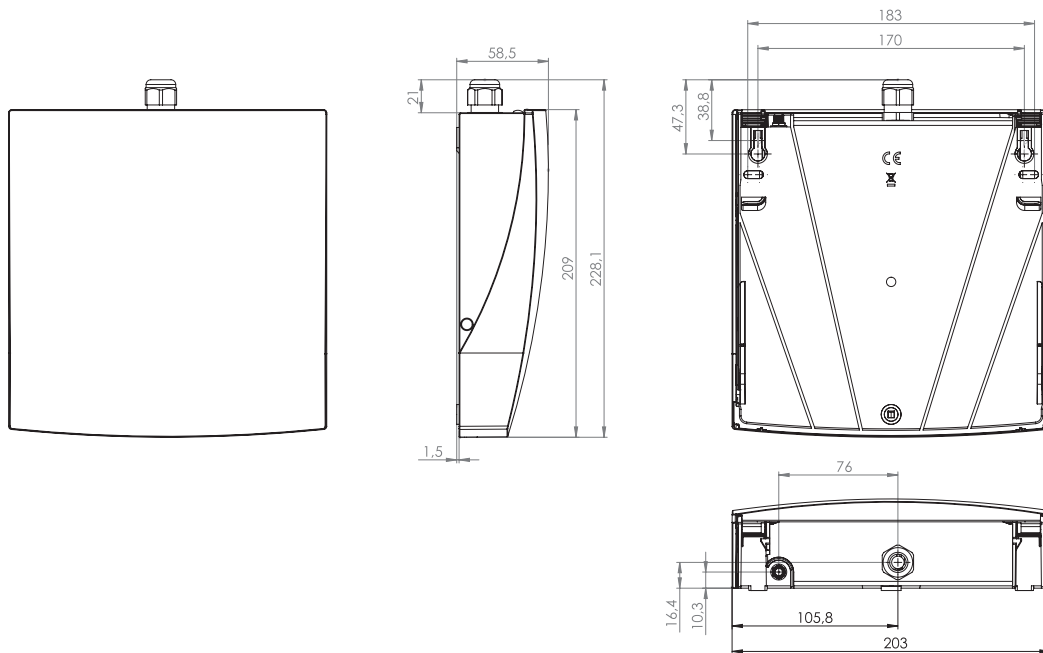
Ambient conditions

Transport	-25 °C to +70 °C, relative air humidity: max. 95 % without condensation
Storage	-5 °C to +45 °C, relative air humidity: max. 95 % without condensation
Use	IP 42: -5 °C to +45 °C, relative air humidity: max. 95 % without condensation
	IP 65: -20 °C to +45 °C, relative air humidity: max. 95 % without condensation

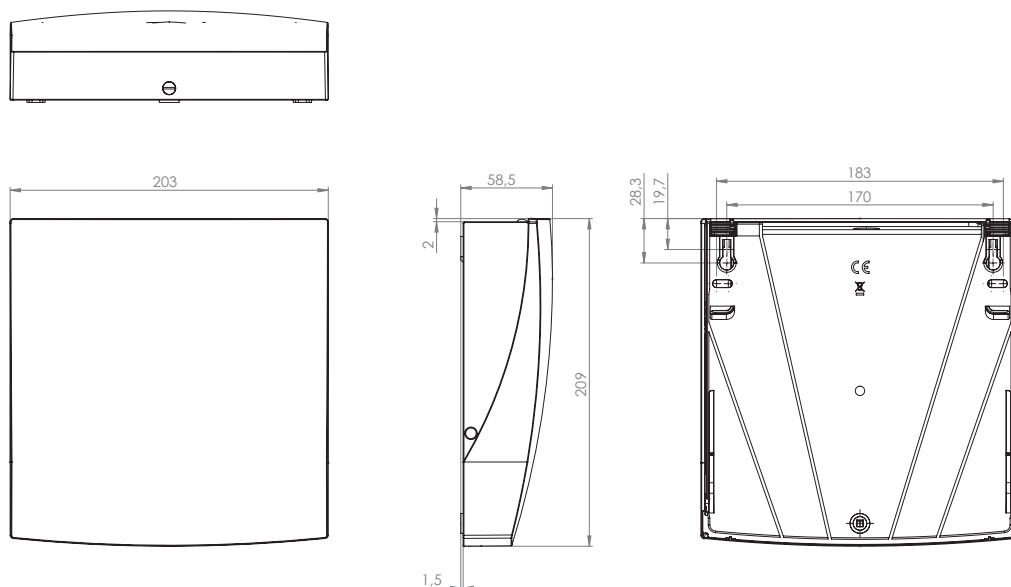
Standards and norms

EU Conformity	yes
Protection rating	RNG5 xx2R xxxx IP 42 RNG5 xx1R xxxx IP 65
Protection class	RNG5 xxxR 2xxx III RNG5 xxxR 1xxx II
Electromagnetic compatibility	EN 301 489-1, EN 301 489-3
Safety	EN 62 368-1, EN 62311
Type approved conforming with	RED directive, RoHS

Dimensional drawing type RNG5 xxxR 1xxx



Dimensional drawing type RNG5 xxxR 2xxx



✉ **QUNDIS GmbH**
Sonnentor 2
99098 Erfurt/Germany
☎ +49 (0) 361 26 280-0
☎ +49 (0) 361 26 280-175
✉ info@qundis.com
www.qundis.com

The information in this data sheet only contains general descriptions or product characteristics, which may not always apply in particular application cases and/or may be subject to change through further development of the product.
Required product characteristics are then binding if they are expressly agreed when the contract is drawn up.
© 2019 QUNDIS GmbH. Subject to change